

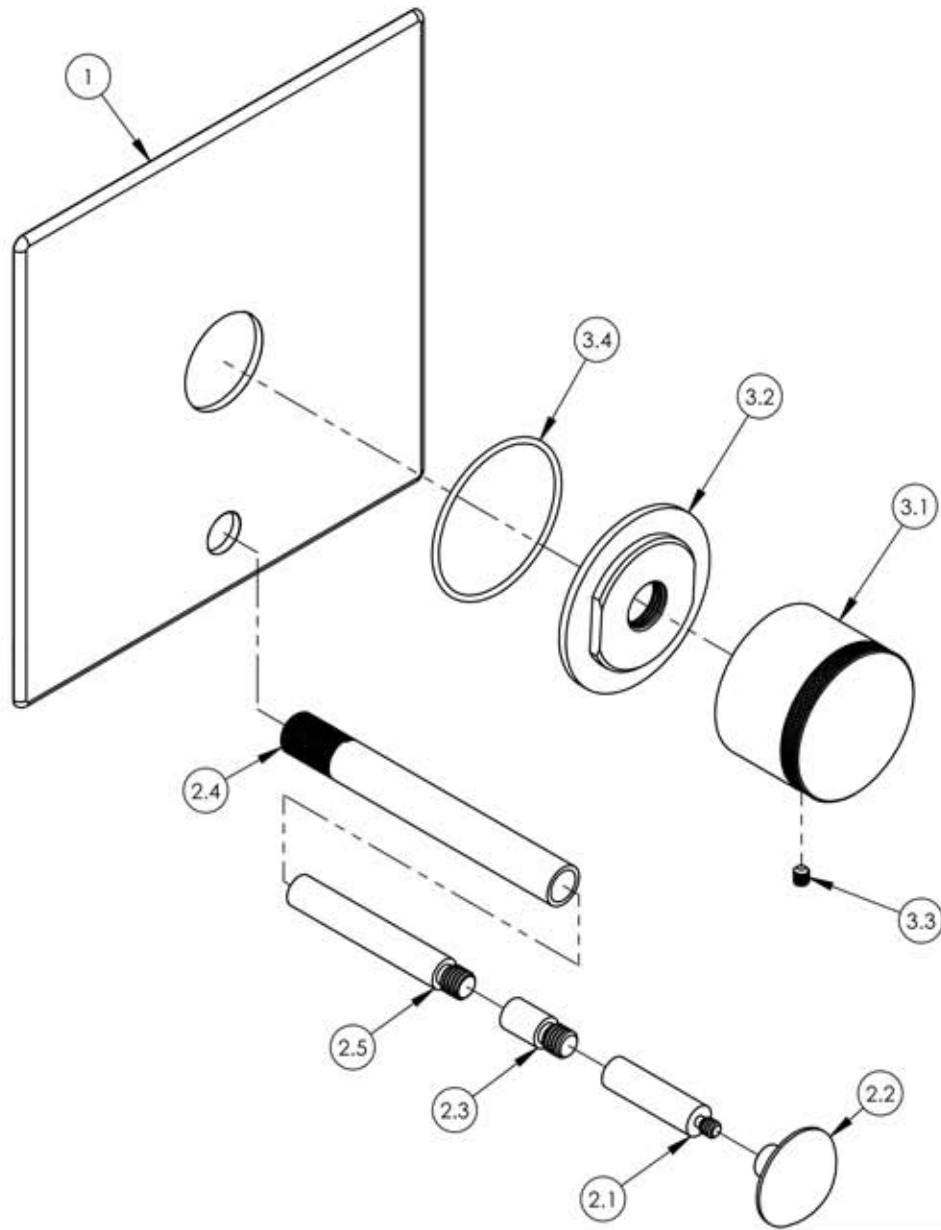
A

B

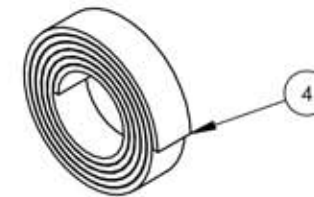
C

D

E



ITEM NO.	PART NUMBER	DESCRIPTION	QTY.
1	10959/00	SHOWER TRIM PLATE W/ DIVERTER HOLE, MIX SERIES	1
2	3-125/00	EXTENSION ASSY FOR PB TUB & SHOWER SET	1
2.1	11008/00	DIVERTED STEM FOR PB PLATE	1
2.2	11006/00	PULL KNOB, DIVERTER, 10-24	1
2.3	11085/00	EXTENSION PIN FOR PB TUB & SHOWER SET	1
2.4	11009/00	EXTENSION SLEEVE FOR STEM, PB TUB & SHOWER SET	1
2.5	11007/00	EXTENSION PIN FOR PB TUB & SHOWER SET 1.25LONGER	1
3	3-329/00	SUB ASSY. KNURLED HANDLE, BASIC II	1
3.1	11165/00	BASE HANDLE, CONTEMP. BASIC II	1
3.2	11164/00	ESCUTCHEON BASE, CONTEMP. BASIC II	1
3.3	92008	SET SCREW, CUP POINT 8-32	1
3.4	90031	O-RING, 1-3/4"ID X 1-7/8"OD X 1/16"THK, AS-568-031	1
4	90537	1/16" TAPE FOR WALL PLATE	1



ZONE	REV.	DESCRIPTION	DATE	APPROVED
REVISIONS				
1261 LOGAN AVENUE COSTA MESA, CALIFORNIA 92626 PHONE: 714.361.4800 FAX: 714.617.3120		PHYL RICH®	<b>PROPRIETARY AND CONFIDENTIAL</b> <small>THE INFORMATION CONTAINED IN THIS DRAWING IS THE SOLE PROPERTY OF RISS MANUFACTURING. ANY REPRODUCTION IN PART OR AS A WHOLE WITHOUT THE WRITTEN PERMISSION OF RISS MANUFACTURING IS PROHIBITED.</small>	
Defining Luxury Since 1959				

-	-	INTERPRET GEOMETRIC DIMENSIONING & TOLERANCING IN ACCORDANCE WITH ASME Y14.5-2009 & ASME Y14.41-2003 STANDARDS, UNLESS OTHERWISE SPECIFIED. DIMENSIONS ARE IN INCHES. TOLERANCES ARE:		
NEXT ASSY	USED ON	FRACTIONS ±1/64	DECIMALS X.X: ±.1 X.XX: ±.01 X.XXX: ±.005	ANGULAR ±.5°
APPLICATION		MATERIAL	NAME	DATE
FINISH		DRAWN	FME	11/9/2015
DO NOT SCALE DRAWING		CHECKED	LLO	

**PRESSURE BALANCE SHOWER PLATE  
W/DIVERTER & HANDLE TRIM SET,  
KNURLED HANDLE, BASIC II SERIES**

SIZE	ASM/PRT NO.	REV
A	4-200/00	-
SCALE: 1:2	WEIGHT: lbs.	SHEET 1 OF 2

5

4

3

2

1